

- o Flat Cable Connectors SEK
- o *har-mik®*
- o D-Sub
- o InduCom

➔ Applications



## Product details

**09 21 025 3001**

**Male insert, Han 25 D**

Series	Han D®, Han D® AV
Number of contacts	25 poles + PE
Size of hood/ housing	Han® 16 A
Termination	Crimp termination
Insert material	Standard material
Contacts	Order separately
Electrical data	10 A 250 V 4 kV 3
RoHS compliant	Yes

### Available Downloads

Title	Format	
Data sheet	PDF	↕ download
CAD data 2D	DXF	↕ download
CAD data 3D	IGES	↕ download
CAD data 3D	STEP	↕ download

**Inquiry**

5

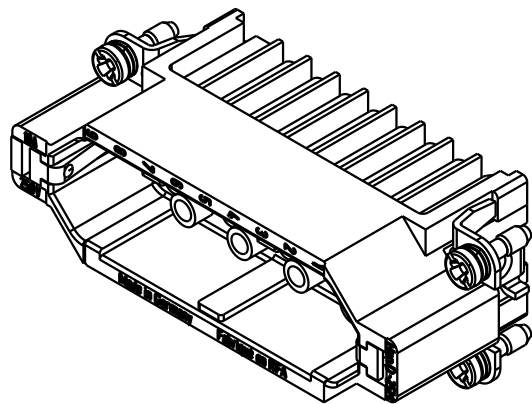
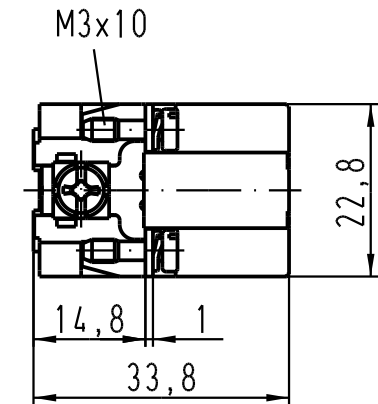
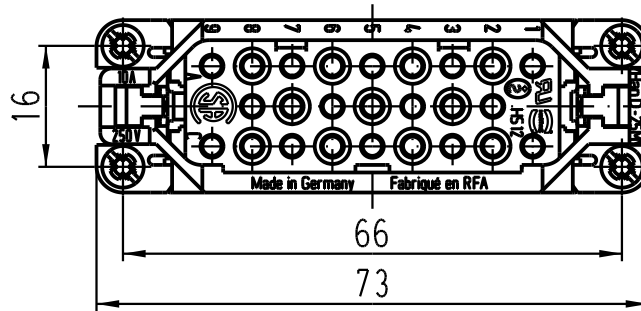
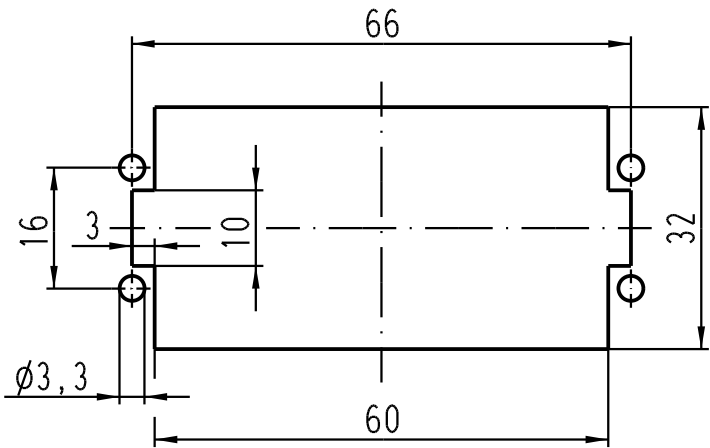
4

3

2

1

Montageausschnitt/  
panel cut out



All Dimensions in mm Original Size DIN A 4		Techn. Character.			Nicht tolerierte Masse / Free size tolerances	
			Dat.	Name	Maststab / Scale	<b>Han 25D-M-c</b> Stiftträger / male insert
			Detail.	12.04.99 KR		
			Insp.	SDT.	1:1	
411417	18.01.05	Loe.	Stand.			
410526	18.07.03	Ho	HARTING Electric GmbH & Co. KG		<b>TB 09 21 025 3001</b>	Blatt / page
25626			D-32339 Espelkamp			
Mod.	Dat.	Name			Sub. TB 09 21 0.. 3001 Bl.1/2 v. 01.03.93	